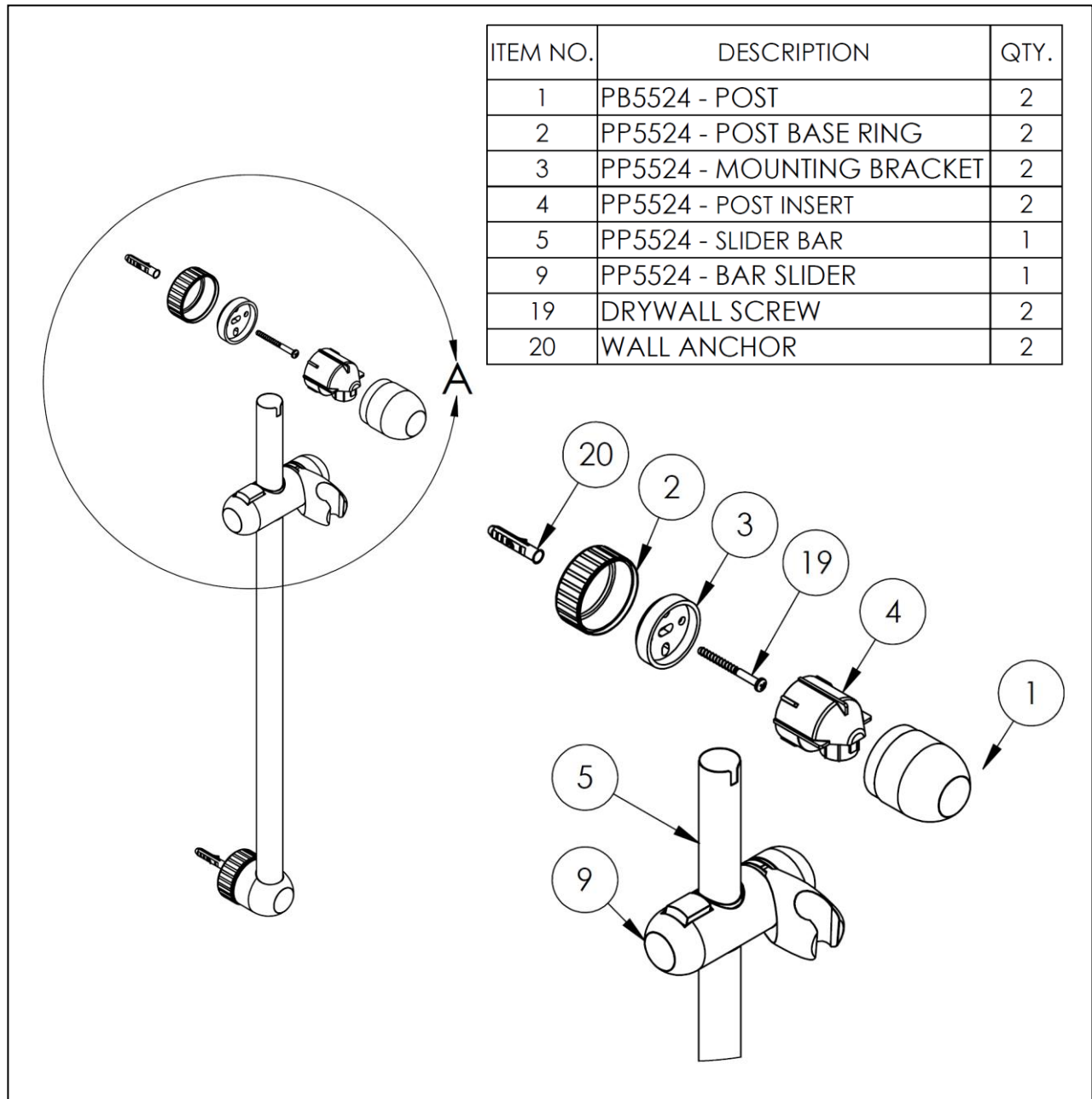


NOTE:

- Use plywood backing in walls whenever possible, to ensure security to wall.
- Be sure that distance between centers of posts is correct before drilling into wall.
- Do all painting, staining or wall papering before accessory installation.



Installation:

1. Determine where on the wall the positioning bar is to be installed.
2. With a pencil, mark the centers of the Mounting Base Assembly (2-3) on the wall.
3. If using supplied Wall Anchors (20), drill a ¼" hole at each marked position (1 ¾" min. hole depth).
4. Insert Wall Anchors (20) into holes until flush with the wall (a hammer may be needed to lightly tap the anchors flush).
5. Secure Mounting Base Assembly (2-3) to the wall using supplied Drywall Screws (19).
6. With the Bar Slider (9) on, attach each Post Assembly (1, 4) to each end of the Slider Bar (5).
7. Proceed to screw each Post Assembly (1, 4) to each Mounting Base Assembly (2-3) by turning the Post Base Ring (2).

IMPORTANT INSTALLATION INFORMATION

- DO NOT USE PLUMBER'S PUTTY ON ANY OF THE BRASS COMPONENTS
 - This will cause the finish to tarnish and void the warranty. A non-corrosive Alkoxy Silicone is recommended.

To help ensure the beauty of brass accessories, never install an item until construction is almost completed and after:

- Workmen have finished treating nearby tile or marble with acid or chemicals.
- The air conditioning or heat has been turned on.
- The room has been painted or stained.

For technical support or warranty information, please call 718-257-2800